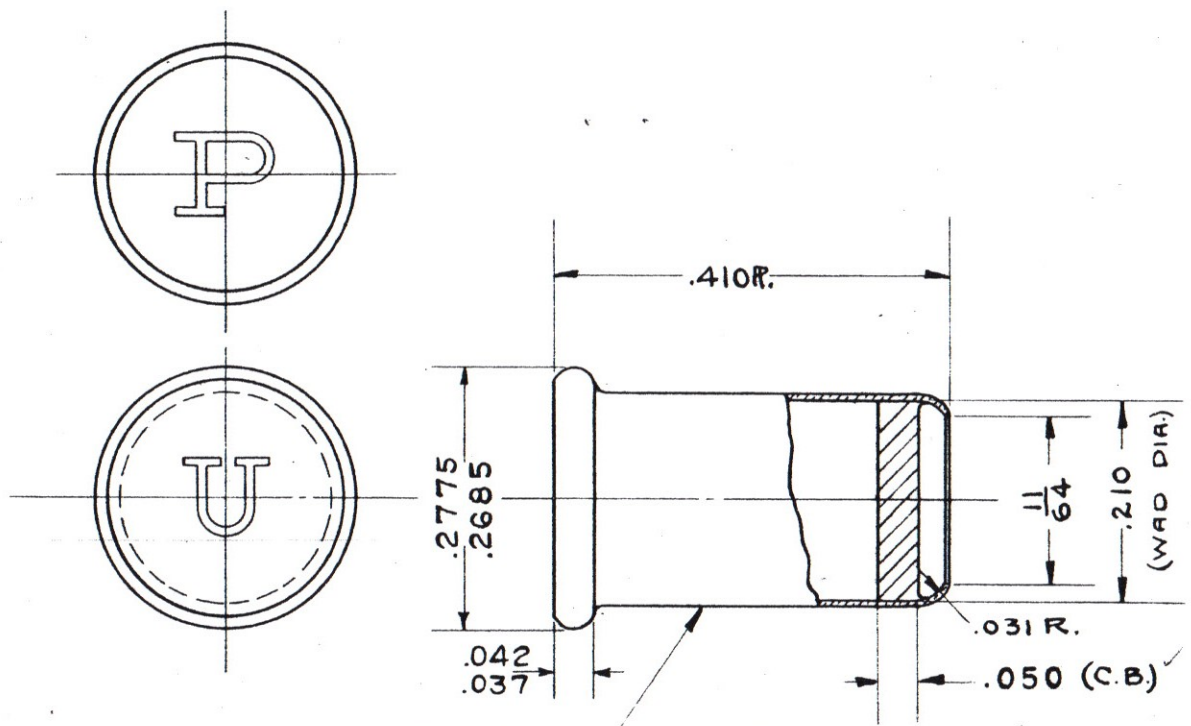


PRODUCT DW <b>S-221B</b>		THE REMINGTON ARMS UNION METALLIC CARTRIDGE COMPANY INCORPORATED AMMUNITION AND FIREARMS NEW YORK UMC BRIDGEPORT WORKS BRIDGEPORT, CONN., U.S.A. LONDON		SIMILAR PRODUCTS		CHANGES		
<b>F.R. 1453</b>				PETERS-.22 SHORT BLANK RUST.		1 F.R.No. CHANGED	2 PETERS PRODUCT ADDED	3 REMOVED "BLACK" FROM TITLE
PRODUCT <b>.22 SHORT R.F. BLANK KBR</b>		<b>22 SHORT R.F. BLANK (BLACK)</b>		PETERS-.22 SHORT R.F. BLANK (BLACK)		4 56627-ADDED "KBR" TO M.T. 1-6-45	5 57134-ADDED "RUSTLESS" TO PETERS. N.H.G./E.O.	6 2ND .045
DRAWING OF <b>CARTRIDGE</b>						(C.B.) 3-28-45	6 ADDED USES FOR (BLACK) & NOTE FOR WADS	7 61708
SCALE <b>5 TO 1</b>		ISSUED				9-2-47 USES FOR (BLACK) & "2 WADS REG. FOR SMG." 9-2-47 .050 WAS .045-(BRASS) WAS (GLDG.) C.F.C./E.O.		
DRAWN	TRACED	CHECKED						
2-11-29 <b>E.H.</b>	2-11-29 <b>E.H.</b>	2-14-29 <b>E.H.</b>						
APPROVED	APPROVED							
2-14-29 <b>J.F. Werme</b>	2-18-29 <b>E.C. Hadley</b>							
APPROVED	APPROVED							
2-15-29 <b>J. Hermann</b>	2-19-29 <b>J.H.C.</b>							
1 6-6-33 <b>ST</b>	2 6/30/26 <b>ST</b>							

JUL 28 1949

COMPONENTS  
SHELL NO. S-2203 (BRASS)



REG. 22 SHORT R.F.  
SHELL - SEE ~~F.R. 50~~  
DWG. S-2203